



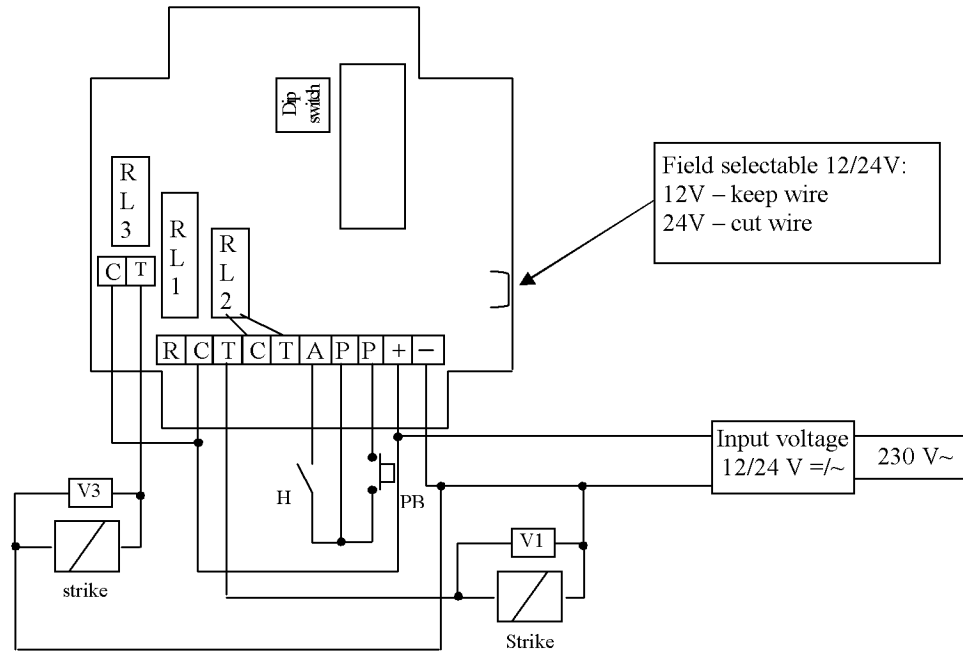
CBB/PRO100

STAINLESS STEEL KEYPAD CODE 100 CODES, 3 RELAYS MODIFICATION OF THE CODE BY THE USER

Three groups of relays:

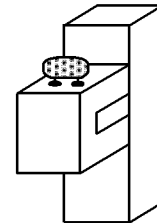
The first group includes 60 user codes from 00 to 59, the second group includes 20 user codes from 60 to 79 and the third group includes 20 user codes from 80 to 99.

WIRING DIAGRAM AND INSTRUCTION



Terminal	functions
R	N/C contact
C	Common
T	N/O contact
P - P	Push button PB
P - A	Timer clock contact for using the «0» key as an external push button
+, -	Input voltage 12 or 24 V AC

This device comes with a varistor.
The varistor must be connected to the strike terminal (electromagnet...) operated by the device.
If this product works with many strikes, each of them should have a varistor.
The varistor controls the overload produced by the strike coil - back emf.



If you are using a « Shear Lock » electromagnetic lock, it is recommended to use a separate power supply than the one connected to the **CBB-PRO100!**